

MATERIALS AND FINISHES

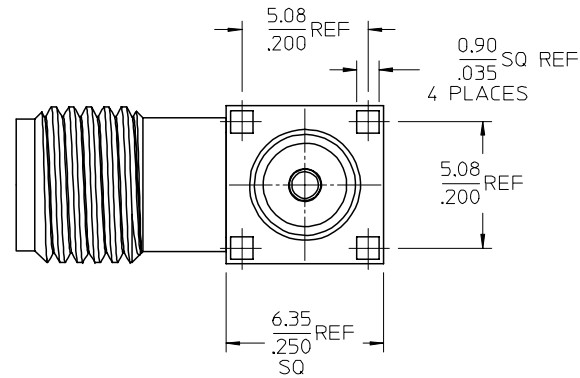
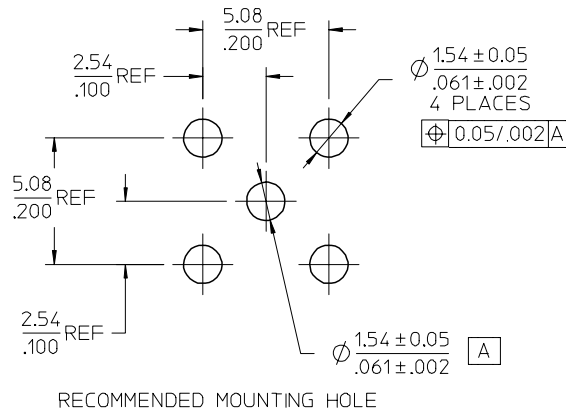
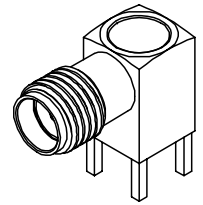
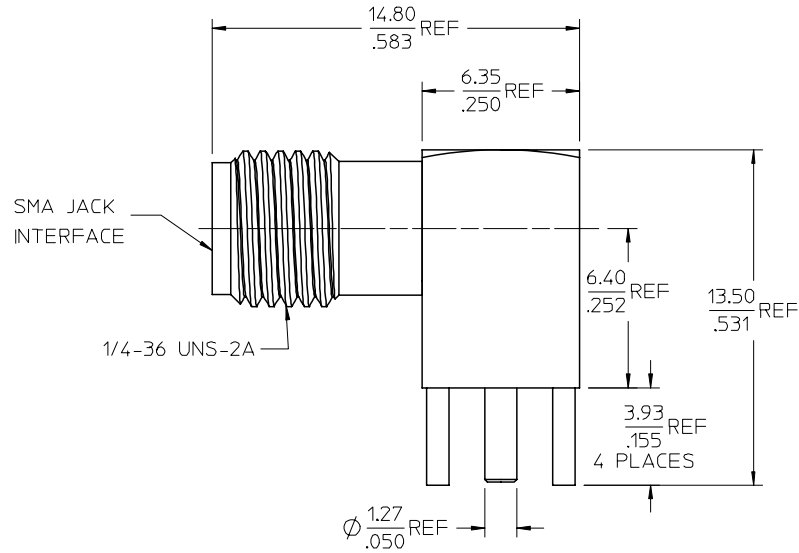
BODY BRASS
PLATED GOLD

CENTER CONTACT BERYLLIUM COPPER
PLATED GOLD

PCB CONTACT BRASS
PLATED GOLD

INSULATOR TEFLON

EXCEPTION TO PRODUCT SPECIFICATION
73598-0111: FREQUENCY RANGE: DC TO 12GHz



PS-73598-0111	PRODUCT SPECIFICATION
SPECIFICATION	DESCRIPTION

73251-3130	73100-0114, ONE PER BAG
73100-0114	TRAY
PART NO.	PACKAGING

CHG: ERDREW IN SD ADDED P/N 73251-3130	EC NO: URF/2007-0396	DRWN: IFLAHERY 2007/05/01	CHKD: SHAH 2007/05/01	APPR: JIMENER 2007/05/01	DESCRIPTION	QUALITY SYMBOLS
					DESCRIPTION	$\nabla=0$ $\nabla=0$

GENERAL TOLERANCES (UNLESS SPECIFIED)		DIMENSION STYLE		SCALE	DESIGN UNITS	THIRD ANGLE PROJECTION
		MM/IN	DATE		METRIC	
4 PLACES	± .005	± .005	THOMPSON TSN 1993/10/15			
3 PLACES	± .005	± .005	CHECKED BY			
2 PLACES	± .005	± .005	VL ID WANG 1995/09/23			
1 PLACE	± .005	± .005	APPROVED BY			
		ANGULAR	A TUL ID 1995/09/25			
			MATERIAL NO.			
DRAFT WHERE APPLICABLE MUST REMAIN WITHIN DIMENSIONS		SEE TABLE				

DATE	TITLE
1995/09/25	SMA JACK,R/A PCB,50 OHMS SMA-J/PCB
DATE	
1995/09/25	
DATE	
1995/09/25	

MOLEX INCORPORATED		SHEET NO.	
SD-73100-0114		1 OF 1	
THIS DRAWING CONTAINS INFORMATION THAT IS PROPRIETARY TO MOLEX INCORPORATED AND SHOULD NOT BE USED WITHOUT WRITTEN PERMISSION			